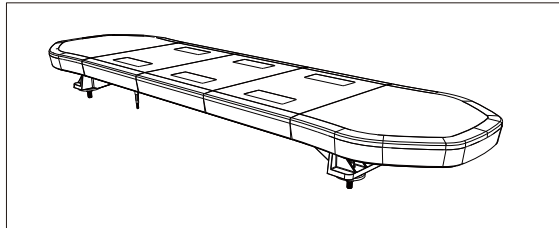

OPERATION INSTRUCTION

LED LIGHTBAR

7303

The Lightbars are versatile and powerful warning devices suitable for a range of vehicle types and duties. There are numerous options and lengths available and the lightbars can either be mounted permanently to the vehicle or mounted using an optional roof mounting kit.

The 7303Series is suitable for many vehicle applications and features reflective LED modules, a durable aluminum chassis and polycarbonate lenses. Available in 10 Flash pattern, the 7303 Series can be configured with different flashing warning modules including alternate single shot,double flash,combination1, The LED flash colors including amber, blue,red, white and any dual color combinations , providing a full 360 degree of bright scene lighting .



7303 Series LED Lightbar



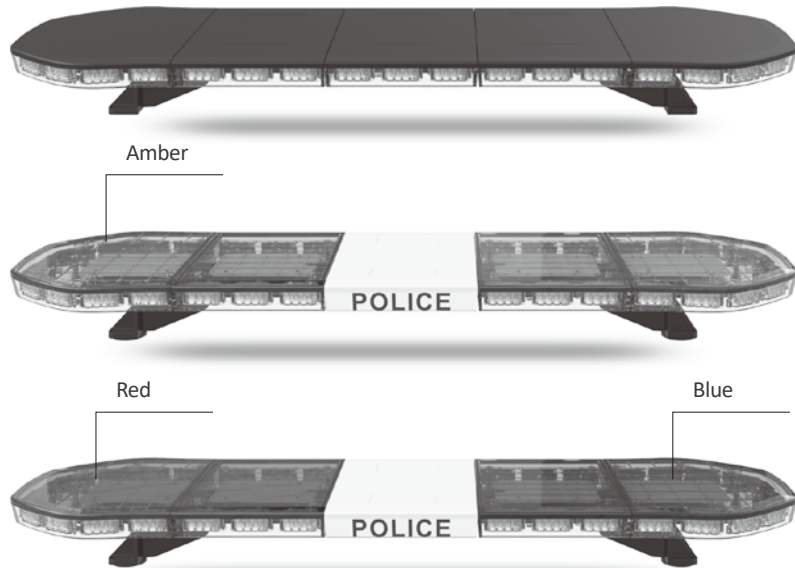
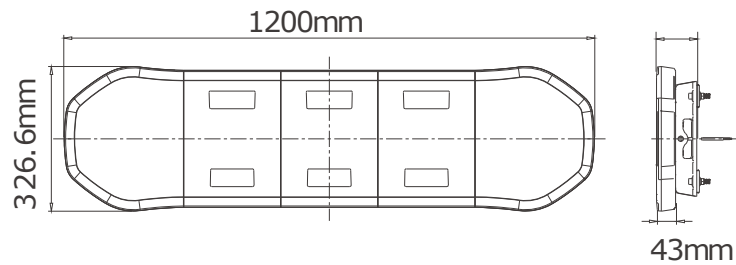
ECE R65 R10 SAE J845



IMPORTANT!

Read all instructions before installing and using. Installer: This manual must be delivered to the end user. This manual assumes installation by a suitably qualified Automotive Technician.

Product Size



Flash Patterns

Sequence	Description	FPM
1	Alternating single flash	230
2	Alternating double flash	162
3	Alternating four flash	90
4	Single flash	150
5	Double flash	162
6	Four flash	96
7	Randomness combination 1	
8	Randomness combination 2	
9	Randomness combination 3	
10	Randomness combination 4	

IMPORTANT!

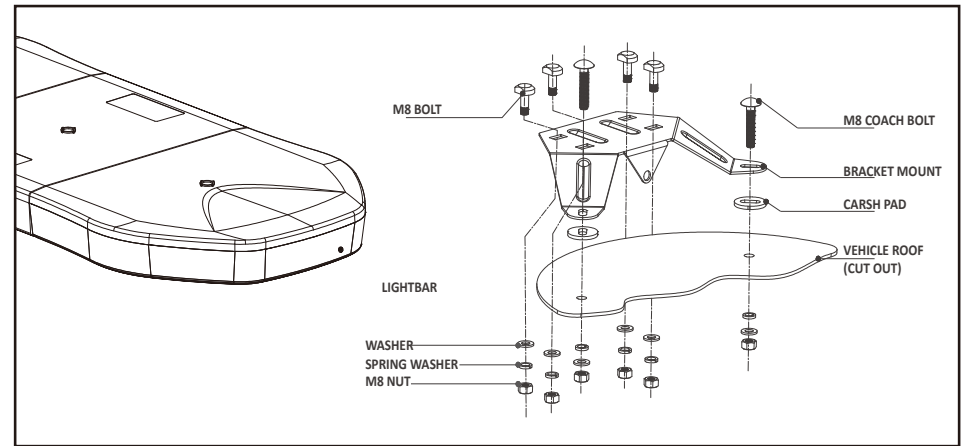


Before proceeding with installation, plan all wiring and cable routing. Select the mounting location for the light bar on a flat, smooth surface and centre the unit across the width of the vehicle. The mounting location for the light bar should be chosen such that the light bar is level and visibility to approaching traffic is optimised. Mounting should be such that there is no less than 12mm (½") clearance between the roof and the lightbar at any point.

Permanent Mounting- mounting bracket

1. If the mounting feet are not already installed on the bar, install as follows:
Insert the heads of the M8 mounting bolts into the opening at the end of the slots on the base of the lightbar. Loosely fasten mounting feet to base extrusion using M8 nuts and spring washers (refer to diagram).
2. Determine the location of the light bar, and the best route for the wiring.

3. Loosen the M8 nuts to allow the mounting feet to slide along the base. Place the light bar on the vehicle in the determined location and slide the mounting feet into position. It is suggested that positioning of the feet be symmetrical and positioned near the curved edges of the roof where the roof is strongest.
4. With the feet positioned, mark the location of the mounting hole centres on the roof. Remove the bar and drill the 8.5mm - 10.0mm diameter (11/32") mounting holes as marked. Note: the centre distance between the mounting holes in a foot is 135mm (5 5/16").
5. Insert M8 Coach bolts into the mounting feet (refer to diagram) and tighten the M8 nuts holding the feet to the base of the lightbar.
6. Mount the light bar, with the bolts going through the holes drilled in step 4, routing the wire as planned in step 2 (refer to diagram). See the Wiring section of this manual for further wiring instructions. Install washers and M8 Nyloc nuts, and secure the unit.



NOTES:

1. Larger wires and tight connections will provide longer service life for components. For high current wires it is highly recommended that terminal blocks or soldered connections be used with shrink tubing to protect the connections. Do not use insulation displacement connectors.
2. Route wiring using grommets and sealant when passing through compartment walls. Minimize the number of splices to reduce voltage drop. High ambient temperatures (e.g., under-hood) will significantly reduce the current carrying capacity of wires, fuses, and circuit breakers.
3. Particular attention should be paid to the location and method of making electrical connections and splices to protect these points from corrosion and loss of conductivity.
4. Ground termination should only be made to substantial chassis components, preferably directly to the vehicle battery.
5. Circuit breakers are very sensitive to high temperatures and will "false trip" when mounted in hot environments or operated close to their capacity.

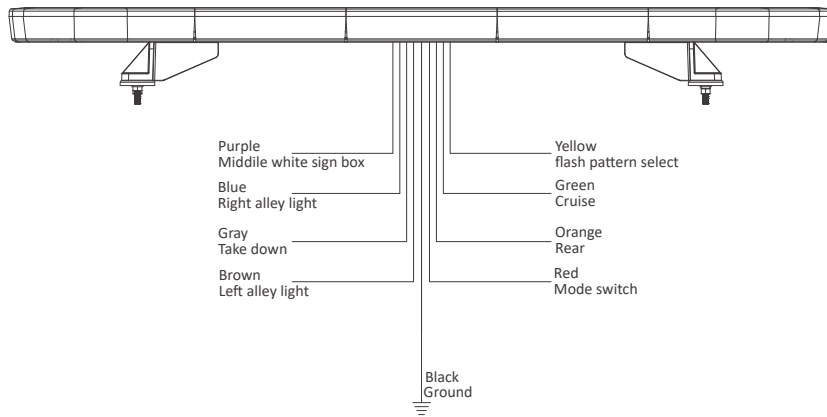
Wiring Instructions:

1. Route wires from the vehicle positive (battery, alternator, fuse block) to the switch panel in the cab. Use suitable high-temperature vehicle wire if it passes through the engine compartment. Install a suitable fuse as close to the point of tapped power as possible. For each circuit use a fuse according to the insert sheet.
2. Connect the wires to the positive side of the additional control switch panel with quick-connect terminals or by soldering.
3. After the light bar has been mounted, route the wiring harness into the vehicle to the switch panel location.
4. Connect the wires of the light bar wiring harness to the switched side of each switch. See the insert sheet for wire colour / function legend.
5. Connect the light bar cable Black wire to a solid ground connection on the vehicle (ideally, directly to the battery negative terminal).
6. Use cable ties and grommets to secure and protect all cables and wires.

IMPORTANT!



This unit is a safety device and it must be connected to its own separate, fused power point to assure its continued operation should any other electrical accessory fail. Do not wire in parallel with any other accessory. Disconnect the battery before wiring up the light bar, to prevent accidental shorting, arcing and/or electrical shock.



Manufacturer Limited Warranty and Limitation of Liability:

Manufacturer warrants that on the date of purchase this product will conform to Manufacturer's specifications for this product (which are available from the Manufacturer upon request), and Manufacturer further warrants that this product is free from defects in materials and workmanship. This Limited Warranty extends for twenty-four (24) months from the date of purchase. Other warranties may apply, call Manufacturer for details. Manufacturer will, at its discretion, repair or replace any product found by the Manufacturer to be defective and subject to this Limited Warranty.

DAMAGE TO PARTS OR PRODUCTS RESULTING FROM TAMPERING, ACCIDENT, ABUSE, MISUSE, NEGLIGENCE, UNAPPROVED MODIFICATIONS, FIRE OR OTHER HAZARD; IMPROPER INSTALLATION OR OPERATION; OR NOT BEING MAINTAINED IN ACCORDANCE WITH THE MAINTENANCE PROCEDURES SET FORTH IN MANUFACTURER'S INSTALLATION AND OPERATING INSTRUCTIONS VOIDS THIS LIMITED WARRANTY.

ORAL STATEMENTS OR REPRESENTATIONS ABOUT THE PRODUCT WHICH MAY HAVE BEEN MADE BY SALESPEOPLE, DEALERS, AGENTS OR OTHER MANUFACTURER'S REPRESENTATIVES DO NOT CONSTITUTE WARRANTIES. THIS LIMITED WARRANTY MAY NOT BE AMENDED, MODIFIED, OR ENLARGED EXCEPT BY A WRITTEN AGREEMENT SIGNED BY AN AUTHORIZED OFFICIAL OF MANUFACTURER WHICH EXPRESSLY REFERS TO THIS LIMITED WARRANTY.

Exclusion of Other Warranties:

Manufacturer makes no other warranties, express or implied. The implied warranties for merchantability or fitness for a particular purpose are hereby excluded and shall not apply to the product. Buyer's sole and exclusive remedy in contract, tort, or under any other theory against manufacturer regarding the product and its use shall be the replacement or repair of the product as described above.

Limitation of Liability:

In the event of liability for damages arising out of this limited warranty or any other claim related to the manufacturer's products, manufacturer's liability for damages shall be limited to the amount paid for the product at the time of the original purchase. In no event shall manufacturer be liable for lost profits, the cost of substitute equipment or labor, property damage, or other special, consequential, or incidental damages based upon any claim for breach of contract, improper installation, negligence, or other claim, even if manufacturer or a manufacturer's representative has been advised of the possibility of such damages. Manufacturer shall have no further obligation or liability with respect to the product or its sale, operation and use, and manufacturer neither assumes nor authorizes the assumption of any other obligation or liability in connection with such product.