

# OPERATION INSTRUCTION

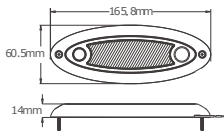
## LED Interior Light

9108

### Specifications



Non-switch     Touch switch     Infrared sensor



- . Voltage: 10-30V DC
- . Max Watt:5.4W
- . Mounting: Surface Mount
- . Color Temperature: 3800K~4250K
- . LED Color: White
- . Approval: ECE R10
- . IP Rating: IP67

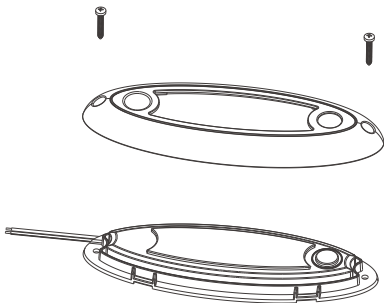
**Important!** This unit is a safety device, and it must be connected to its own separate, fused power point to assure its continued operation should any other electrical accessory fail.

This document provides all the necessary information to allow your product to be properly and safely installed. Before beginning the installation and operation of your new product, the installation technician and operator must read this manual completely.



- Proper installation of this product requires the installer to have a good understanding of automotive electronics, systems and procedures.
- Failure to use specified installation parts or hardware will void the product warranty.
- For this product to operate at optimum efficiency, a good electrical connection to chassis ground must be made.
- It is recommended that these instructions be stored in a safe place and referred to when performing maintenance or reinstallation of this product.
- Do not install and/or operate this safety product unless you have read and understand the safety information contained in this manual.
- It is the responsibility of the vehicle operator to ensure during use that all features of this product work correctly. In use, the vehicle operator should ensure the projection of the warning signal is not blocked by vehicle component, people, vehicles, or other obstructions.

Picture 1



### Installation Instruction

1. Read all safety notes and mounting guidelines before installing the product. Be sure to follow the fusing guidelines shown. (Picture 1)
2. Verify that all power supply comply to the specified voltage limits for the light.

### Wiring

The wiring for this configuration is as shown in picture 2 below.

Picture 2

