

Flash Pattern Selection:

BLACK – Ground -----Extend wire to Chassis Ground.

RED – Main Power -----Extend wire to an SP/ST switch and then to the POSITIVE battery terminal. Fuse at 5 Amps.

YELLOW– Trigger Wire -----To change patterns, to cycle forward to the next pattern apply+12 volts to the YELLOW

TO CHANGE THE FIRST PATTERN: Extend YELLOW wire to the +12 volts / positive for more than 5 seconds. The light pattern will change to the first pattern.

Sync:

To sync two or more minibars, extend YELLOW wire to

the +12 volts / positive for more than 3 seconds, with

the power off. Configure both minibars to display the

same flash pattern. And then connect the YELLOW wire

Sequence	Description	PPM
1	ESE Single	150
2	Quad	71
3	Roate 1	60
4	Single/Double/Quint	15
5	Ten	69
6	Roate 2	100
7	Alternate Single	120
8	Alternate Quad	72
9	Alternate Ten	75
10	Random	

IMPORTANT WARNING!

Before returning this vehicle to active service, visually confirm the proper operation of this product, as well as all vehicle components/equipment.



IMPORTANT WARNING!

Caution! Do not look directly at these led's while they are on. momentary blindness and/or eye damage could result!

Wiring (Permanent / Bracket Mounting Only)

WARNING!

All customer supplied wires that connect to the positive terminal of the battery must be sized to supply at least 125% of the maximum operating current and FUSED at the battery to carry the load.



DO NOT USE CIRCUIT BREAKERS WITH THIS PRODUCT!

OPERATION INSTRUCTION

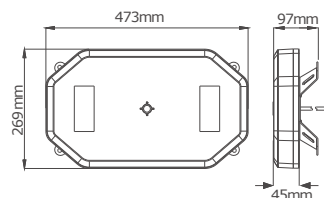
LED MINIMAR

7204



ECE R65 R10 SAE J845

Specifications



LED Color	Amber/ Blue/ Red/ White
Voltage	10-30V
Max Power	64W
Flash Pattern	10
Size(A*B*C)	473*269*97mm

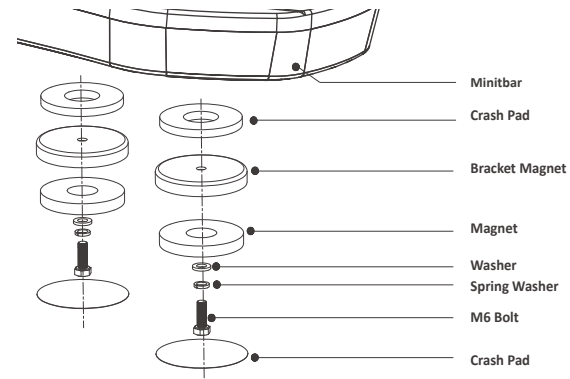


THIS DOCUMENT PROVIDES ALL THE NECESSARY INFORMATION TO ALLOW THE PRODUCT TO BE PROPERLY AND SAFELY INSTALLED. BEFORE BEGINNING THE INSTALLATION AND/OR OPERATION OF YOUR NEW PRODUCT, THE INSTALLATION TECHNICIAN AND OPERATOR MUST READ THIS MANUAL COMPLETELY. IMPORTANT INFORMATION IS CONTAINED HEREIN THAT COULD PREVENT SERIOUS OR DAMAGE.

- Proper installation of this product requires the installer to have a good understanding of automotive electronica, systems and procedures.
- If mounting this product requires drilling holes, the installer MUST be sure that no vehicle components or other vital parts could be damaged by the drilling process. Check both sides of the mounting surface before drilling begins. Also de-burr the holes and remove any metal shards or remnants. Install grommets into all wire passage holes.
- If this manual states that this product may be mounted with magnets or any other temporary mounting style, clean the mounting surface with a 50/50 mix of isopropyl alcohol and water and dry thoroughly.
- **DO NOT INSTALL THIS PRODCUT OR ROUTE ANY WIRES IN THE DEPLOYMENT AREA OF YOUR AIR BAG. QUIPMENT MOUNTED OR LOCATED IN THE AIR BAG DEPLOYMENT AREA WILL DAMAGE OR REDUCE THE EFFECTIVENESS OF THE AIR BAG, OR BECOME A PROHJECTILE THAT COULD CAUSE SERIOUS PERSONAL INJURY OR DEATH. REFER TO YOUR VEHICLE OWNERS MANUAL FOR THE AIR BAG DEPLOYMENT AREA. THE USER/INSTALLER ASSUMES FULL RESPONSIBILITY TO DETERMINE PROPER MOUNTING LOCATION, BASED ON PROVIDING ULTIMATE SAFETY TO ALL PASSENGERS INSIDE THE VEHICLE.**

- For this product to operate at optimum efficiency, a good electrical connection to chassis ground must be made. The recommended procedure requires the product ground wire to be connected directly to the NEGATIVE(-) battery post (this does not include products that use cigar power cords.)
- If this product uses a remote device for activation or control, make sure that this device is located in an area that allows both the vehicle and the device to be operated safely in any driving condition.
- Do not attempt to activate or control this device in a hazardous driving situation.
- This product contains either strobe light(s), high-intensity LEDs or a combination of these lights. Do not stare directly into these lights. Momentary blindness and/or eye damage could result.
- Use only soap and water to clean the outer lens. Use of other chemicals could result in premature lens cracking (crazing) and discoloration. Lenses in this condition have significantly reduced effectiveness and should be replaced immediately. Inspect and operate this product regularly to confirm its proper operation and mounting condition. Do not use a pressure washer to clean this product.
- It is recommended that these instructions be stored in a safe place and referred to when performing maintenance and/or reinstallation of this product.
- **FAILURE TO FOLLOW THESE SAFETY PRECATIONS AND INSTRUCTIONS COULD RESULT IN DAMAGE TO THE PRODUCT OR VEHICLE AND/OR SERIOUS INJURY TO YOU AND YOUR PASSENGERS!**

Clean the mounting surface with a 50/50 mix of isopropyl and water and dry thoroughly. Place the minibar onto the mounting surface. Note that all four magnets should be in full contact with this surface. Plug the cigar adaptor power cord into the vehicle cigar lighter.

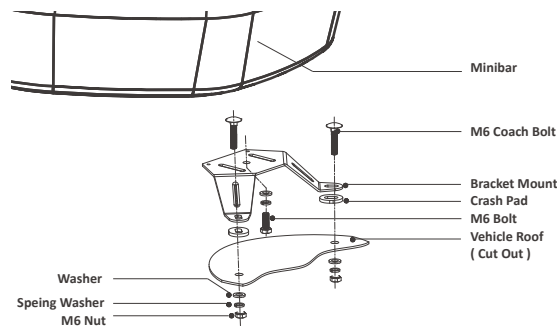


Permanent / Bracket Mounting

Check to see that no vehicle components will interfere with the selected mounting location. If you are installing the minibar on the roof you will need to remove the headliner from the vehicle. There may be a roof support member that runs from the drivers to the passengers side of the vehicle. Do not drill through this member.

CAUTION: Permanent / bracket mounting of this product will require drilling. It is absolutely necessary to make sure that no other vehicle components could be damaged by this process. Check both sides of the mounting surface before starting. If damage is likely, select a different mounting location.

IMPORTANT! It is the responsibility of the installation technician to make sure that the installation and operation of this product will not interfere with or compromise the operation or efficiency of any vehicle equipment!



Temporary Magnetic Mounting



WARNING!

The use of any magnatically mounted warning device on the outside of a vehicle in motion is not recommended and is the sole risk and responsibility of the user.

Single Bolt

